

BUNGEE ENGINEERING  
bungee.it

acrojump4



# AcroJump4

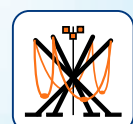
Stationary or Mobile,  
High Quality & Design...  
a New Bungee-Trampolines Generation!



M-model



T-model



Classic



## AcroJump4 M-model

Mobile bungee trampoline, the best for short term sites temporary events, shopping centers, seasonal holiday structure, etc.

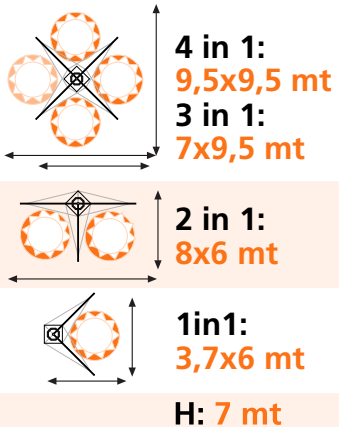
The Less Expensive!



### FEATURES:

- Surface: 9,5 x 9,5 m
- Height: 7 m
- Total weight: 800 kg

Minimal area 6x3,7 mt



### FEATURES

- Ultra fast setup with Auto-Elevation system: 60' just 1 person!
- In high-quality Steel & Aeronautical Aluminium
- Italian Quality & Design

### EASY CARRYING, FAST SET-UP

#### NOW ON CUSTOMIZED TRAILER



## AcroJump4 T-model

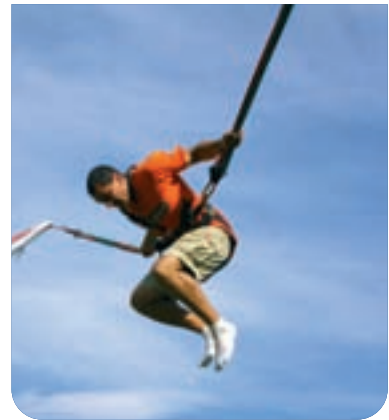
- Acrojump M-model with Approved Trailer totally galvanised, ready to be towed even by cars (sold with CEE Traffic Registration Paper)

Total weight: 1200 kg  
AcroJump4 M-model + Trailer  
(every single component inside the trailer!)



## AcroJump4 Classic

Stationery bungee trampoline, ideal for long term sites, amusements parks, water parks, all-year tourism structure etc.



### FEATURES

- Highest Jumps on market!
- Totally in high-tech Aeronautical Aluminium
- Italian Quality & Design
- Structure Set-up Timing: 120' in 2 people
- Carried by a common Van Cab.

### FEATURES:

- Surface: 11 x 11 mt
- Height: 8,20 mt
- Total weight: 900 kg



**Patented Auto Elevation System**

**Fast-setup**

CERTIFICATIONS - Politecnico di Torino (Dipartimento Ingegneria Strutturale) - AcroJump Harness: Prot. 15383 Cert. Nr. 15250/16/A  
 Safety Bungee Coord System: Prot. 0336 Cert. Nr. 1366/16/A - Product Liability Insurance Nr. 266/07/2520

## SAFETY, Our Main Passion!

We sell only Bungee Cords with **Safety Certificated System** and **Certified customized Harnesses**. Our AcroJump4 is the world's first bungee trampoline introducing the Safety system named: **Anti-Elongation System** supplying into the suspension system at least one couple of bungee cords with a special sheath avoiding that jumper is dangerously not fastened to the suspension system in case the elastics completely breaks up.



### INCLUDED COMPONENTS (FOR 4IN1 CONFIGURATION) :

- 4 Steel trampolines, diam.cm.370 (inflatable trampolines for the T model)
- 4 winches 220V-0.75 kW with emergency device and hand control set
- 4 sets of Bungee Cords equipped with the patented Safety A.E.System
- 4 body-harnesses in compliance with Standard EN361 (sizes: 2 S/M, 2 M/XL)
- 4 suspension systems (pulleys, cords, safety karabiners and alloy swivels)
- Auto elevation System
- 2000 W lights system

### BOTH MODELS ARE SUPPLIED WITH EXCLUSIVE:

- World's first Certified Safety bungee cords system
- Only CE components included
- Specific customized bungee trampoline harnesses
- Simplified system for bungee cords fast buckles



### PROFITABILITY SCHEME ACROJUMP4 (based on 5hrs average activity)

Average cycle/person: 5 minutes x € 5,00

| INCOMES | on single emplacement<br>1h=12 people | on 4 emplacements<br>1h=48 people | in 5 hrs activity<br>240 jumpers |
|---------|---------------------------------------|-----------------------------------|----------------------------------|
|         | € 60,00                               | € 240,00                          | € 1.200,00                       |

#### OPERATING COSTS

|                     |                             |                 |
|---------------------|-----------------------------|-----------------|
| Bungee Cords:       | 0,25 p/cycle x 240 people = | € 60,00         |
| 1 Operator:         | 25,00/h. x 5h. =            | € 125,00        |
| <b>TOTAL COSTS:</b> |                             | <b>€ 185,00</b> |

**TOTAL DAILY PROFITS: € 1.015,00**



## To get prices:

Fill the form at [http://www.bungee.it/engineering/acroform\\_en.html](http://www.bungee.it/engineering/acroform_en.html)